

TECHNICAL DATA SHEET

MOBILE SHELVES / LFAL / Aga-Led® Type B

VERSION - 04.07.2017

Modular lighting system for mobile shelves with aluminum contactors to be installed as per picture configuration. Move the position of your shelves on the brackets without dismantling your electrical installation.

Système d'éclairage modulable pour étagères mobiles, muni de contacteurs en aluminium, à installer suivant la configuration de l'image. Changez la position de vos étagères sur leurs supports sans démonter votre installation électrique.

Schnurloses Beleuchtungssystem für höhenverstellbare Regalelemente mit soliden Aluminium-Schaltern, die wie unten dargestellt installiert werden können. Bewegen Sie ihre Regalelemente in den Halterungen auf und ab, ohne Ihre elektrische Beleuchtungsanlage abzumontieren.



STANDARD

Luminaire	LFAL
Protection Class	IP20
Lighting Source	Aga-Led® Type B
Connector	Rigid Loop on B'Light conductor 16mm ²
Length on measure	On request up to 3000mm
Nb Lighting Unit	18 LED/m
Voltage	24V
Power	With B3: 17.27 W/m With B6: 21.60 W/m
Conductor	CCP : Aluminium constant-pressure contactor PCL : Solid Brass conductor 16mm ²

ON REQUEST

Fixation	FCP (fixed with screw) FCPS (fixed with tape & screw) (Ht: +2mm)
Dimming Option	1-10V, Dali, KNX <i>Ask technical department for more information</i>

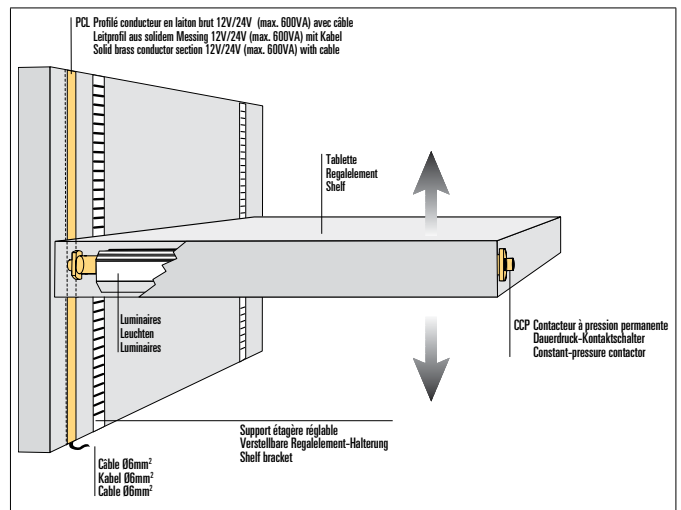
LIGHTING SOURCE

Lighting Source	Aga-Led® Type B - Generation 2				
Ref	B3	B6			
Voltage	24V	24V			
Power	0.96W	1.2W			
Beam Angle	120°	120°			
CRI	80	80			
Lifetime	50'000h				
Working T°	-20°C to +45°C				
Environmental protection	Modified acrylate resin				

Color Temperature & Luminous Flux / Unit

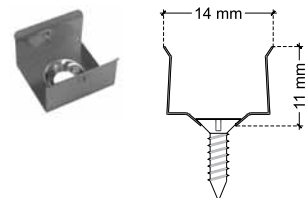
	2200K	2400K	2700K	3000K	4000K
Aga-Led® B3-G2	--	97 lm	137lm	137lm	137lm
Aga-Led® B6-G2	129 lm	140 lm	166 lm	166 lm	166 lm

CERTIFICAT

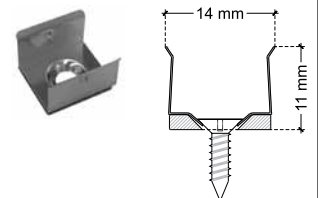


ON REQUEST:

FCP FIXATION (fixed with screw)



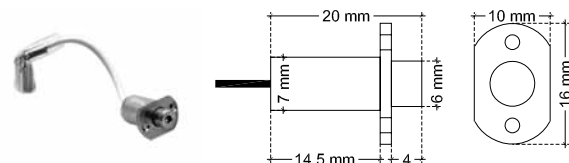
FCP-S FIXATION (fixed with tape & screw)



CONTACTOR & CONDUCTOR

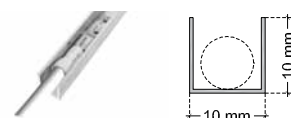
CCP - Aluminium Constant Pressure Contactor

50mm Cable 2.5mm² - power connectors



PCL - Solid Brass Conductor Section 16mm²

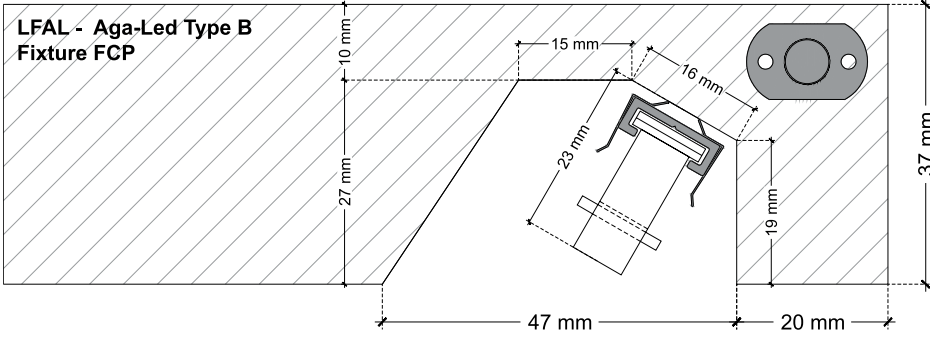
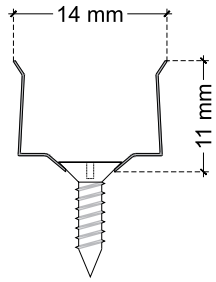
1m Cable 4mm²



TECHNICAL DATA SHEET

MOBILE SHELVES / EXAMPLE OF INSTALLATION / LFAL

VERSION - 04.07.2017

LUMINAIRE LFAL - RIGID LOOP CONNECTOR	FCP FIXATION fixed with screw
<p>LFAL - Aga-Led Type B Fixture FCP</p> 	

LUMINAIRE LFAL - RIGID LOOP CONNECTOR	FCPS FIXATION fixed with tape & screw
<p>LFAL - Aga-Led Type B Fixture FCP-S</p> 