

TECHNICAL DATA SHEET

Hanging Rod with Light / LPAL IP20 / Flex Led

VERSION - 30.04.2018

STANDARD LUMINAIRE

Reference	LPAL
Protection Class	IP20
Lighting Source	Flex Led
Dimensions	ø33mm
Standard Length	330 - 1000 - 1670 - 2000mm
Length on measure	on request up to 3000mm
Nb Lighting Unit	60 LED/m
Voltage	24V
Power	4.8 W/m
Connecting Cable	1m standard cable 2x1mm ²
Wall Fixation	FT1

FINISH

Color Finishing Profil

Standard	Natural Anodised Aluminium
On request	Thermo-Enameling Powder Coating RAL Color Anodising Polished Aluminium Chrome Aspect Polished Aluminium Gold Aspect Plywood (See LPALW Data Sheet)

Glass Finishing

Standard	VFC: Clear Glass
On request	VFO: Opaline Glass

ON REQUEST

Fixation	FC: Median Support
Connection	IDP: Door Switch
Dimming Option	1-10V, Dali, KNX <i>Ask technical departement for more information</i>

LIGHTING SOURCE

Lighting Source	Flex Led
Voltage	24V
Power	4.8W/m
Nb Led	60 LED/m - LED Pitch: 16.8mm
Beam Angle	120°
CRI	>80
Cut-Out	every 100mm
Lifetime	50'000h or 5 years
Working T°	-30°C to +75°C

Color Temperature & Luminous Flux / Meter

CCT	2700K	3000K	4000K
lm/m	390 lm	390 lm	425 lm

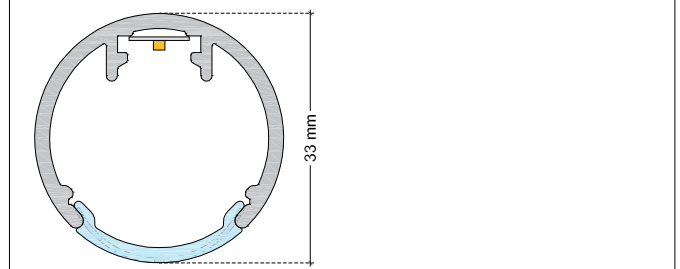
CERTIFICAT



APPLICATION: Wardrobes Lighting

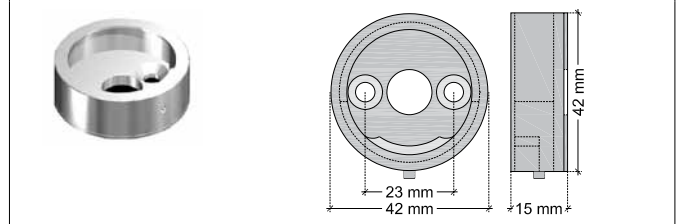


LPAL + VFC / Flex Led



WALL FIXATION : FT1

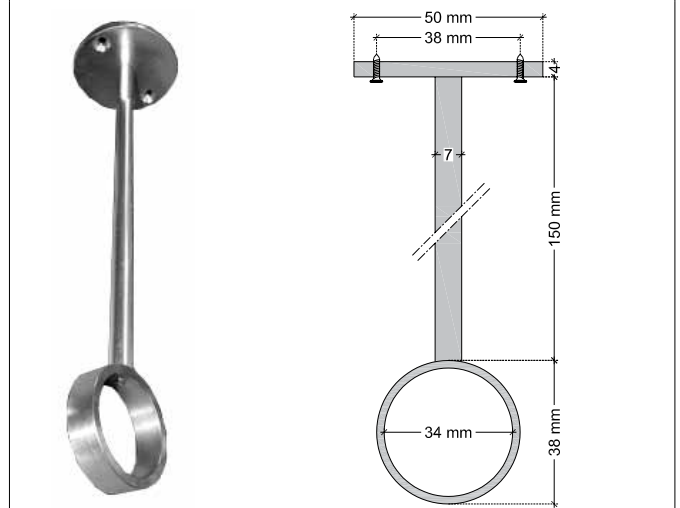
Not available in plywood



On Request: MEDIAN SUPPORT : FC

Every 900mm for a safe installation

Not available in plywood



TECHNICAL DATA SHEET

Hanging Rod with Light / INSTALLATION

VERSION - 03.08.2016

