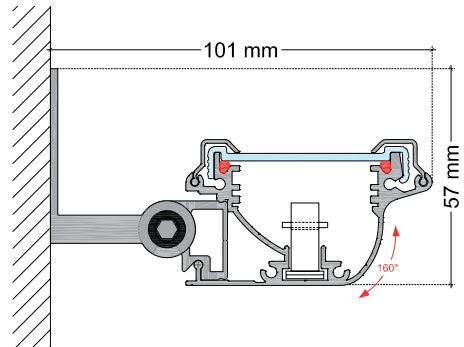
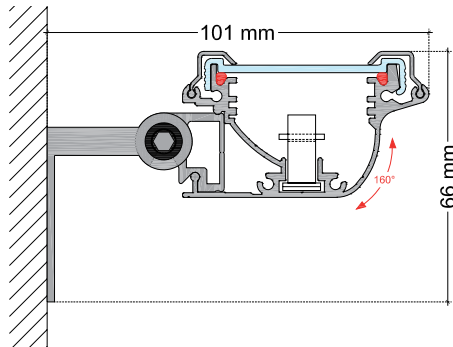


## TECHNICAL DATA SHEET

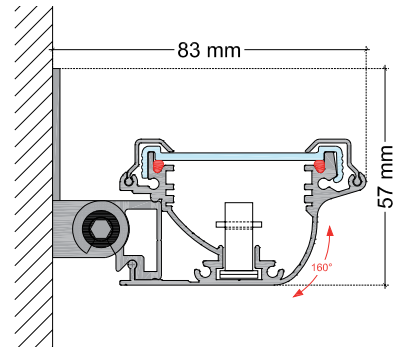
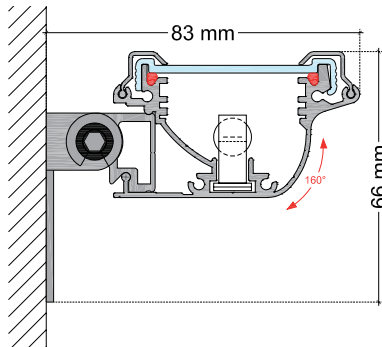
### LLNAL + FLP SERIES

VERSION - 3.11.2015

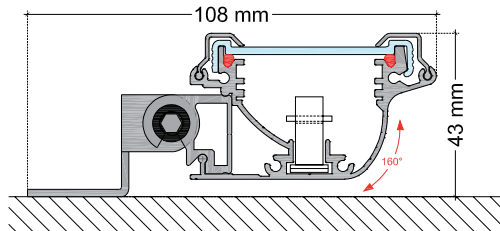
#### FLP1



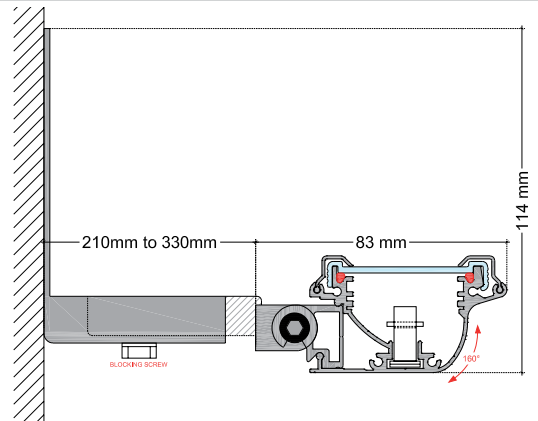
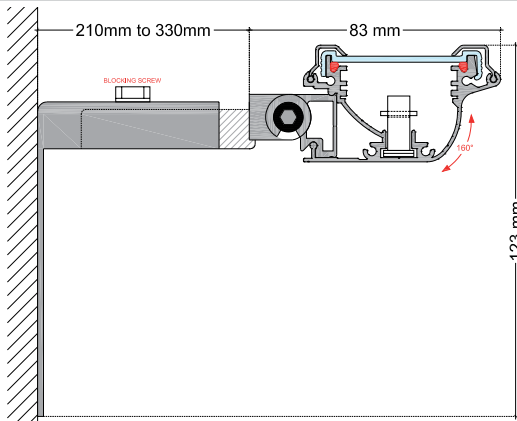
#### FLP1C



#### FLPF



#### FLP2



#### AGABEKOV



**AGABEKOV SA Manufacture** 6, ROUTE DE COMPOIS  
CH-1222 VÉSENAZ - GENEVA - SWITZERLAND  
Tel. +41 22 752 47 45 Fax. +41 22 752 37 08  
E - mail: [info@agabekov.com](mailto:info@agabekov.com)



**AGABEKOV SA Bureau d'etudes** 6, ROUTE DE COMPOIS  
CH-1222 VÉSENAZ - GENEVA - SWITZERLAND  
Tel. +41 22 752 47 45 Fax. +41 22 752 37 08  
Internet: [www.agabekov.com](http://www.agabekov.com)

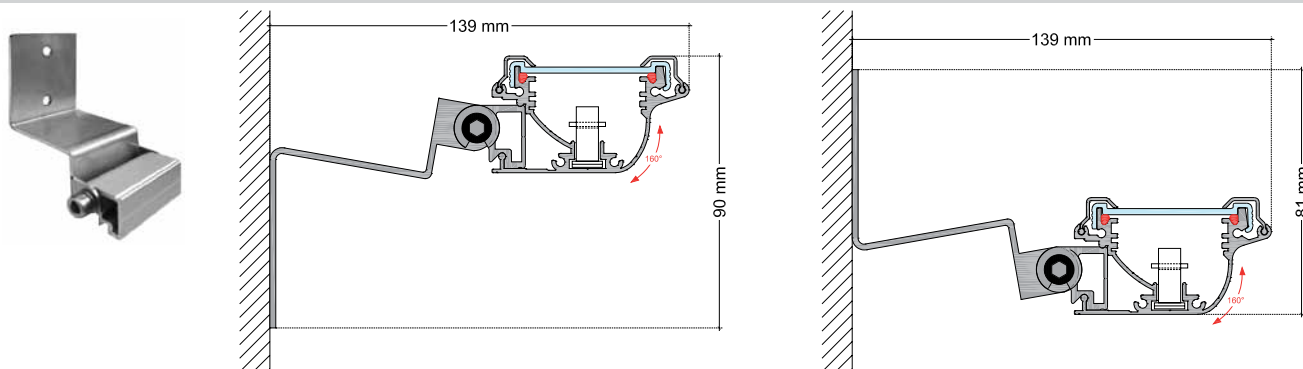


## TECHNICAL DATA SHEET

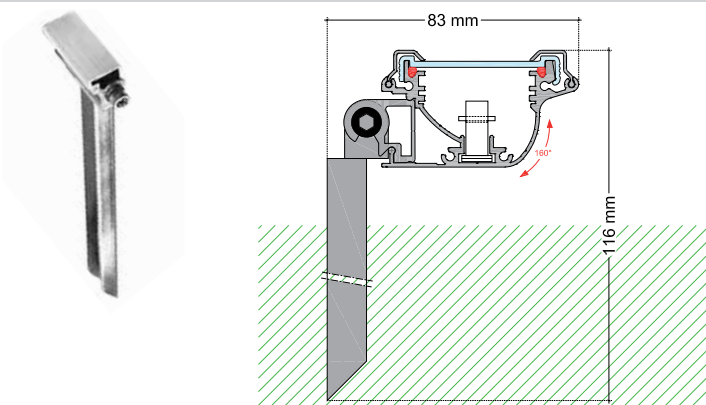
### LLNAL + FLP SERIES

VERSION - 03.11.2015

#### FLP3

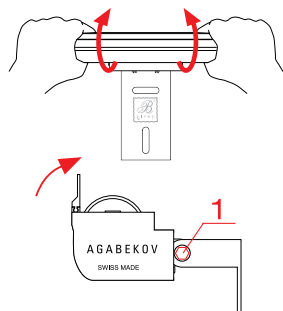


#### FLPJ



To unclip and clip the luminaire, lock the 'imbus' screw (1) and tilt the luminaire as shown on the drawings.

#### CLIP



#### UNCLIP

