

TECHNICAL DATA SHEET

LLNAL IP65 / Flex Led

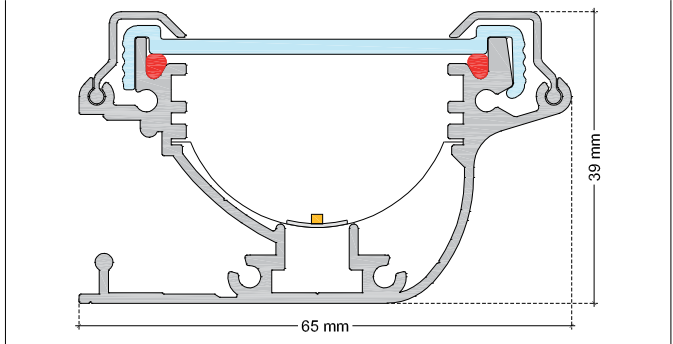
VERSION - 30.04.2018

STANDARD LUMINAIRE

Reference	LLNAL
Protection Class	IP65
Lighting Source	Flex Led
Dimensions	65 x 39mm
Lenght standard	490 - 985 - 1480 - 1975mm
Lenght on measure	on request up to 2965mm
Nb Lighting Unit	60 LED/m
Voltage	24V
Power	4.8W/m
Connecting Cable	Both side: 20cm standard cable 2x2.5mm ²
End Caps	EV

APPLICATION: FACADE LIGHTING

LLNAL / Flex Led



FINISH

Color Finishing Profil

Standard	Natural Anodised Aluminum
On request	Thermo-enameling Powder Coating RAL Color Anodising Polished Aluminum Chrome Aspect Polished Aluminum Gold Aspect

Glass Finishing

Standard	VP: Clear Glass
On request	VPO: Opaline

ON REQUEST

Fixation	FLP Series
Grid	GLA / GLB or GTC / GTD
Other	AP : Anti-Pigeon Protection (Ht: +58mm)
Connecting Plug	AMS / AF or AMS-E / AF-E(IP68)
Dimming Option	1-10V, Dali, KNX Ask technical departement for more information

LIGHTING SOURCE

Lighting Source	Flex Led
Voltage	24V
Power	4.8W/m
Nb Led	60 LED/m - LED Pitch: 16.8mm
Beam Angle	120°
CRI	>80
Cut-Out	every 100mm
Lifetime	50'000h or 5 years
Working T°	-30°C to +75°C

Color Temperature & Luminous Flux / Meter

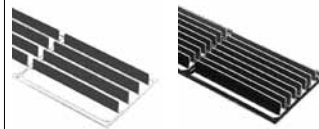
CCT	2700K	3000K	4000K
lm/m	390 lm	390 lm	425 lm

CERTIFICAT



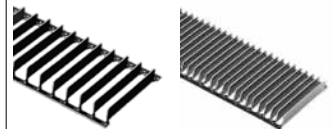
On Request: Longitudinal Grid

Simple: GLA Simple: GLB

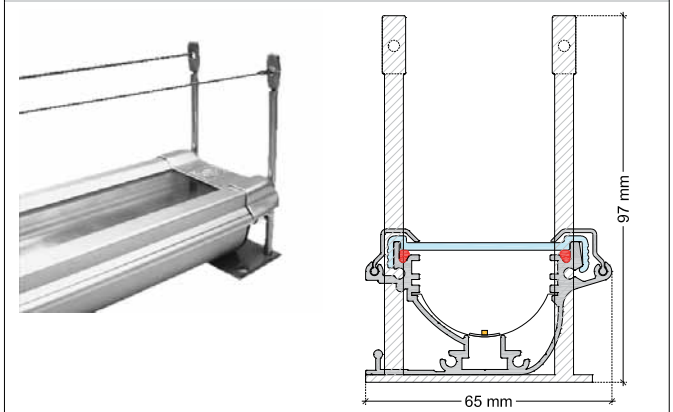


On Request: Transversal Grid

Simple: GTC Double: GTD



On Request: Anti Pigeon protection



On Request: Connecting Plug

AF/AMS

AF-E/AMS-E (IP68)

