

TECHNICAL DATA SHEET

LL3AL IP65 / Aga-Led® Type A

VERSION - 13.06.2016

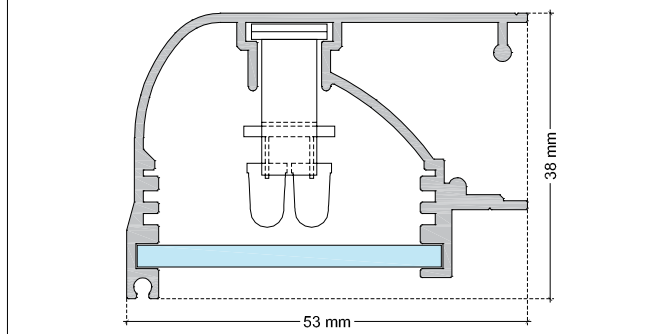
STANDARD LUMINAIRE

Reference	LL3AL
Protection Class	IP65
Lighting Source	Aga-Led® Type A
Connector	Rigid Loop on B'Light conductor 16mm ²
Dimensions	53 x 38mm
Length standard	495 - 990 - 1485 - 1980mm
Length on measure	on request up to 2970mm
Nb Lighting Unit	17 LED/m
Voltage	24V
Power	17 W/m
Connecting Cable	Both Side: 20cm standard cable 2x2.5mm ²
End Caps	EL3

APPLICATION: DOWNWARDS FACADE LIGHTING



LL3AL / AGA-LED® TYPE A - Rigid Loop



FINISH

Color Finishing Profil

Standard	Natural Anodised Aluminium
On request	Thermo-enameling Powder Coating RAL Color Anodising Polished Aluminium Chrome Aspect Polished Aluminium Gold Aspect

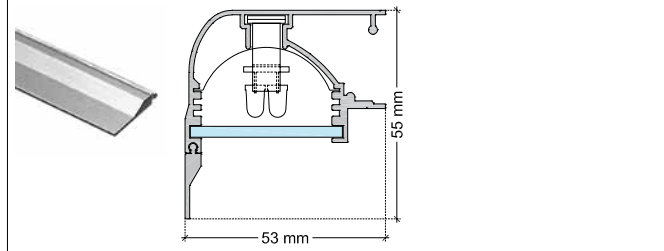
Glass Finishing

Standard	VAT: Clear Glass
On request	VAO: Opaline

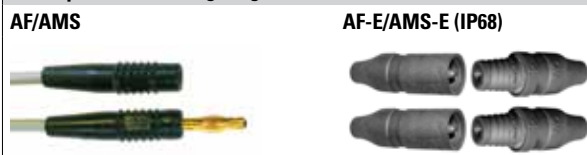
ON REQUEST

Fixation	FLP Series
Other	CF : Front Visor
Connecting Plug	AMS / AF or AMS-E / AF-E
Dimming Option	1-10V, DALI, KNX <i>Ask technical department for more information</i>

On Request: Front Visor CF



On Request: Connecting Plug



LIGHTING SOURCE

Lighting Source	Aga-Led® Type A
Ref	A10
Voltage	24V
Power	1W
Beam Angle	15°
CRI	80
Lifetime	60'000h
Working T°	-30°C ~ +55°C
Option	AGC: Anti Glare Optic



Color Temperature & Luminous Flux / Unit

CCT	2800K	4000K
Luminous Flux/Unit	40 lm	45 lm

CERTIFICAT



AGABEKOV



AGABEKOV SA *Manufacture* 6, ROUTE DE COMPOIS
CH-1222 VÉSENAZ - GENEVA - SWITZERLAND
Tel. +41 22 752 47 45 Fax. +41 22 752 37 08
E - mail: info@agabekov.com



AGABEKOV SA *Bureau d'études* 6, ROUTE DE COMPOIS
CH-1222 VÉSENAZ - GENEVA - SWITZERLAND
Tel. +41 22 752 47 45 Fax. +41 22 752 37 08
Internet: www.agabekov.com

