

TECHNICAL DATA SHEET

LESIAL IP65 / Aga-Led® Type B

VERSION - 13.12.2016

STANDARD LUMINAIRE

Reference	LESIAL
Protection Class	IP65
Lighting Source	Aga-Led® Type B
Connector	Rigid Loop on B'Light conductor 16mm ²
Dimensions	78 x 89mm
Lenght Standard	150 - 555 - 1050 - 1545 - 2040mm
Lenght on measure	on request up to 2040mm
Nb Lighting Unit	17 LED/m
Voltage	24V
Power	16.32 W/m to 20.4 W/m
Connecting Cable	One side: 1m cable standard 2x2.5mm ²
Grid	GTC : Simple Transverse Grid

FINISH

Color Finishing Profil

Standard	Natural Anodised Aluminium
On request	Thermo-enameling Powder Coating RAL Color Anodising

Glass Finishing

Standard	Clear
On request	Opaline

ON REQUEST

Recessed Box	LESIAL BOX (See data sheet)
Grid	GTD: Double Transverse Grid
Connecting Plug	AMS / AF or AMS-E / AF-E(IP68)
Dimming Option	1-10V, Dali, KNX <i>Ask technical departement for more information</i>

LIGHTING SOURCE

Lighting Source	Aga-Led® Type B - Generation 2	
Ref	B3	B6
Power	0.96W	1.2W
Voltage	24V	24V
Beam Angle	120°	120°
CRI	80	80
Lifetime	50'000h	
Working T°	-20°C to +45°C	
Environmental protection	Modified acrylate resin	

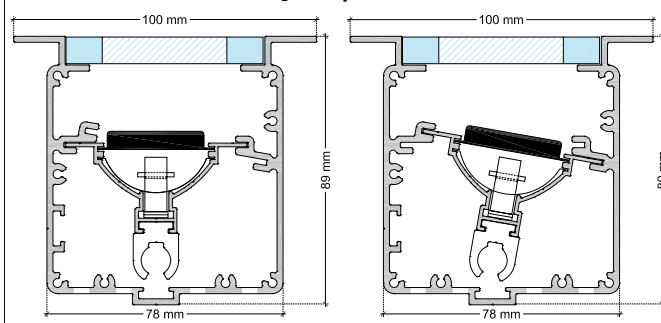
Color Temperature & Luminous Flux / Unit

	2200K	2400K	2700K	3000K	4000K
Aga-Led® B3-G2	- -	97 lm	137lm	137lm	137lm
Aga-Led® B6-G2	129 lm	140 lm	166 lm	166 lm	166 lm

CERTIFICAT



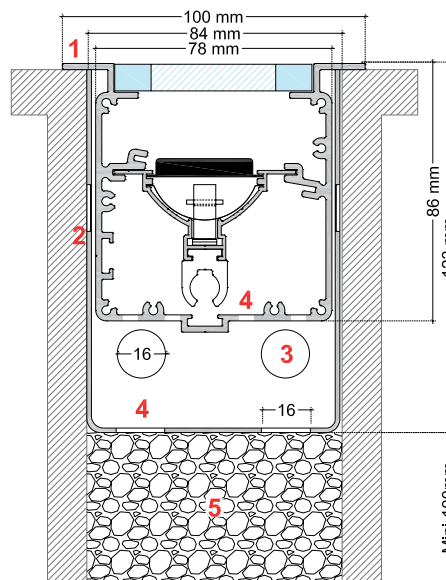
LESIAL / AGA-LED® TYPE B - Rigid Loop



ON REQUEST : LESI BOX

When installing the luminaire in the ground, it is important and essential to provide a proper stone drainage so that condensation can drain out.

- 1 : Ground recessed LESIAL luminaire
- 2 : Stainless steel LESI BOX
- 3 : Holes ø16mm for electrical tube
- 4 : Drain holes so that condensation can drain out
- 5 : Stone drainage minimum 100mm



ON REQUEST: Connecting Plug

AF/AMS



AF-E/AMS-E (IP68)

