

TECHNICAL DATA SHEET

LESIAL IP65 / Aga-Led® Type A

VERSION - 16.03.2016

STANDARD LUMINAIRE

Reference	LESIAL
Protection Class	IP65
Lighting Source	Aga-Led® Type A
Connector	Rigid Loop on B'Light conductor 16mm ²
Dimensions	78 x 89mm
Lenght Standard	150mm-555mm-1050mm-1545mm-2040mm
Lenght on measure	on request up to 2040mm
Nb Lighting Unit	17 LED/m
Voltage	24V
Power	17 W/m
Connecting Cable	One side: 1m cable standard 2x2.5mm ²
Glass	Clear Glass: GL

FINISH

Color Finishing Profil

Standard	Natural Anodised Aluminium
On request	Thermo-enameling Powder Coating RAL Color Anodising

Glass Finishing

Standard	Clear
On request	Opaline

ON REQUEST

Recessed Box	LESIAL BOX (See data sheet)
Connecting Plug	AMS / AF or AMS-E / AF-E(IP68)
Dimming Option	1-10V, Dali, KNX <i>Ask technical departement for more information</i>

LIGHTING SOURCE

Lighting Source	Aga-Led® Type A
Ref	A10
Voltage	24V
Power	1W
Beam Angle	15°
CRI	80
Lifetime	60'000h
Working T°	-30°C ~ +55°C
Option	AGC: Anti Glare Optic



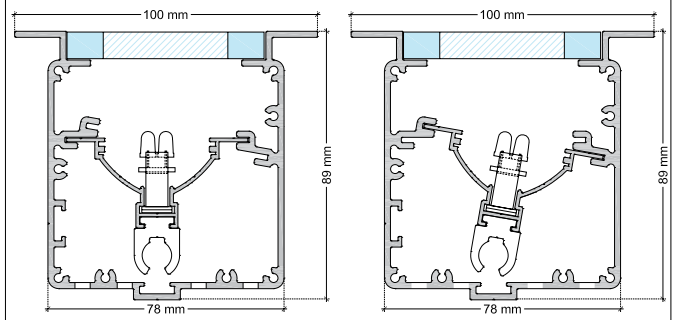
Color Temperature & Luminous Flux / Unit

CCT	2800K	4000K
Luminous Flux/Unit	40 lm	45 lm

CERTIFICAT



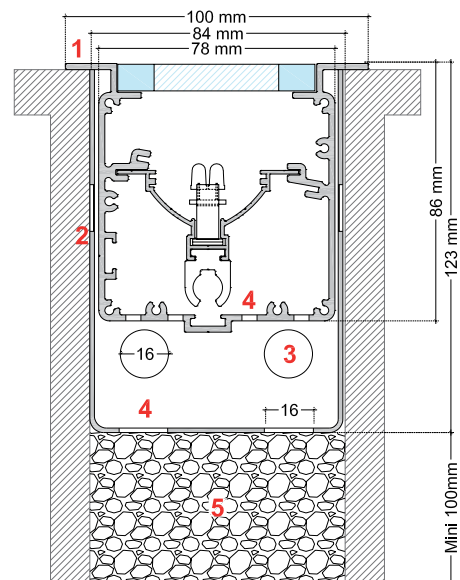
LESIAL / AGA-LED® TYPE A - Rigid Loop



ON REQUEST : LESI BOX

When installing the luminaire in the ground, it is important and essential to provide a proper stone drainage so that condensation can drain out.

- 1 : Ground recessed LESIAL luminaire
- 2 : Stainless steel LESI BOX
- 3 : Holes ø16mm for electrical tube
- 4 : Drain holes so that condensation can drain out
- 5 : Stone drainage minimum 100mm



ON REQUEST: Connecting Plug

AF/AMS



AF-E/AMS-E (IP68)



AGABEKOV



AGABEKOV SA Manufacture 6, ROUTE DE COMPOIS
CH-1222 VÉSENAZ - GENEVA - SWITZERLAND
Tel. +41 22 752 47 45 Fax. +41 22 752 37 08
E - mail: info@agabekov.com



AGABEKOV SA Bureau d'etudes 6, ROUTE DE COMPOIS
CH-1222 VÉSENAZ - GENEVA - SWITZERLAND
Tel. +41 22 752 47 45 Fax. +41 22 752 37 08
Internet: www.agabekov.com

