

TECHNICAL DATA SHEET

LESIAL IP65 / Flex Led

VERSION - 30.04.2018

STANDARD LUMINAIRE

Reference	LESIAL
Protection Class	IP65
Lighting Source	Flex Led
Dimensions	78 x 89mm
Length Standard	150 - 555 - 1050 - 1545 - 2040mm
Length on measure	on request up to 2040mm
Nb Lighting Unit	60 LED/m
Voltage	24V
Power	4.8 W/m
Connecting Cable	One side: 1m cable standard 2x1.5mm ²
Grid	GTC : Simple Transverse Grid

FINISH

Color Finishing Profil

Standard	Natural Anodised Aluminium
On request	Thermo-enameling Powder Coating RAL Color Anodising

Glass Finishing

Standard	Clear
On request	Opaline

ON REQUEST

Recessed Box	LESI BOX (See data sheet)
Grid	GTD : Double Transverse Grid
Connecting Plug	AMS / AF or AMS-E / AF-E(IP68)
Dimming Option	1-10V, Dali, KNX <i>Ask technical departement for more information</i>

LIGHTING SOURCE

Lighting Source	Flex Led
Voltage	24V
Power	4.8W/m
Nb Led	60 LED/m - LED Pitch: 16.8mm
Beam Angle	120°
CRI	>80
Cut-Out	every 100mm
Lifetime	50'000h or 5 years
Working T°	-30°C to +75°C

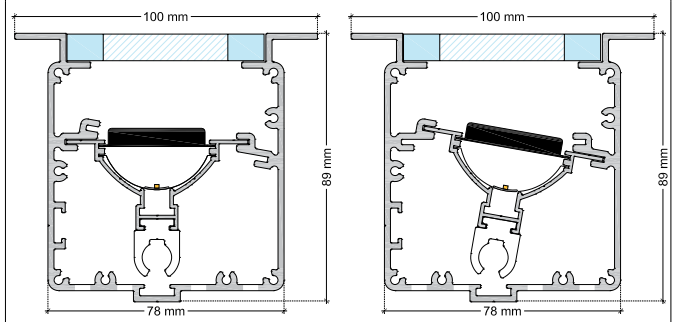
Color Temperature & Luminous Flux / Meter

CCT	2700K	3000K	4000K
lm/m	390 lm	390 lm	425 lm

CERTIFICAT



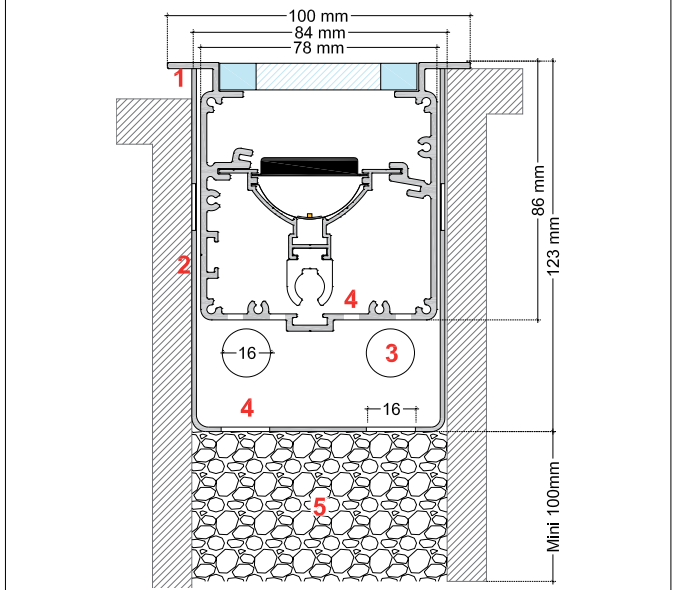
LESIAL / Flex Led



ON REQUEST : LESI BOX

When installing the luminaire in the ground, it is important and essential to provide a proper stone drainage so that condensation can drain out.

- 1 : Ground recessed LESIAL luminaire
- 2 : Stainless steel LESI BOX
- 3 : Holes ø16mm for electrical tube
- 4 : Drain holes so that condensation can drain out
- 5 : Stone drainage minimum 100mm



ON REQUEST: Connecting Plug

AF/AMS



AF-E/AMS-E (IP68)

